

### CRESTLINE FOYER SERIES - WITH SIDE ARMS

#### FIXTURE COMPONENTS:

- Fixture bowl
- Top Assembly Disk (1)

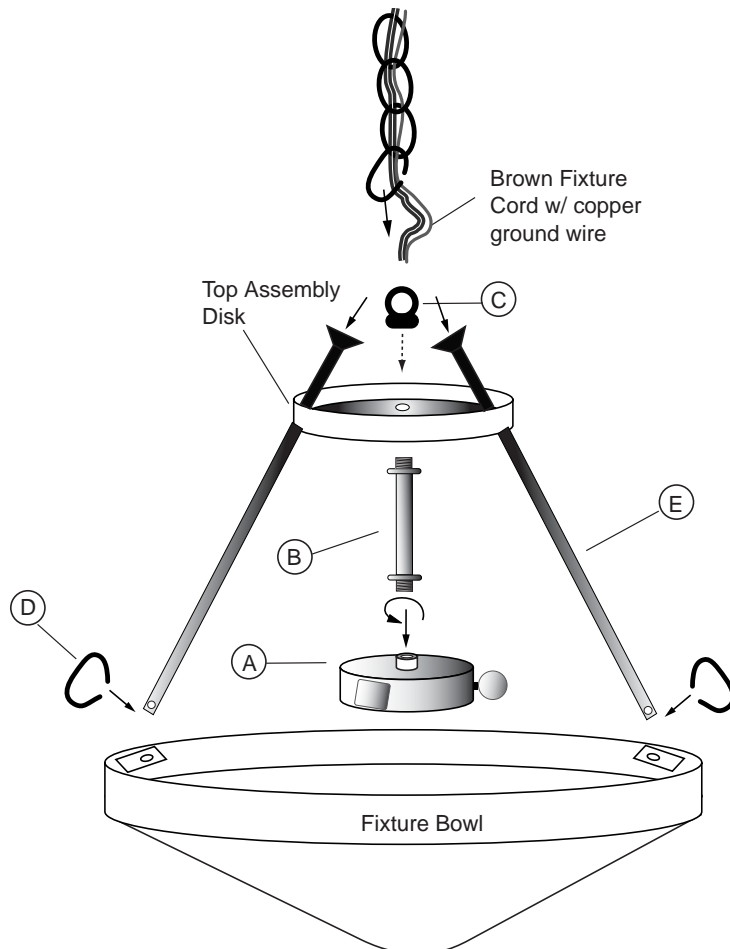
#### PARTS LIST - SECTION A

- A. Socket Assembly with nozzle
- B. 3/8" diameter pipe with threads at both ends (1)
- C. 1" Female loop (1)
- D. Chain Links (3)
- E. Side arms with holes at one end (3)
  - Foyer
  - 18" Series
  - 24" Series

#### GENERAL

1. To ensure the success of the installation, be sure to read these instructions and review the diagrams thoroughly before beginning.
2. All electrical connections must be in accordance with local codes, ordinances, or the National Electrical Code. If you are unfamiliar with methods of installing electrical wiring, secure the services of a qualified licensed electrician.
3. These fixtures are intended to be mounted to a minimum 4" x 1-1/8" deep round outlet box. The box must be directly supported by the building structure.
4. **Before starting the installation, disconnect the power by turning off the circuit breaker or by removing the fuse at the fuse box. Turning the power off using the light switch is not sufficient to prevent electrical shock.**

NOTE: The important safeguards and instructions appearing in these instructions are not meant to cover all possible conditions and situations that may occur. It must be understood that common sense, caution, and care are factors, which cannot be built into any product. These factors must be supplied by the person(s) caring for and operating the fixture.



#### SECTION A - ASSEMBLY INSTRUCTIONS

NOTE: Before hanging your new Crestline Light, the fixture must be assembled following these instructions.

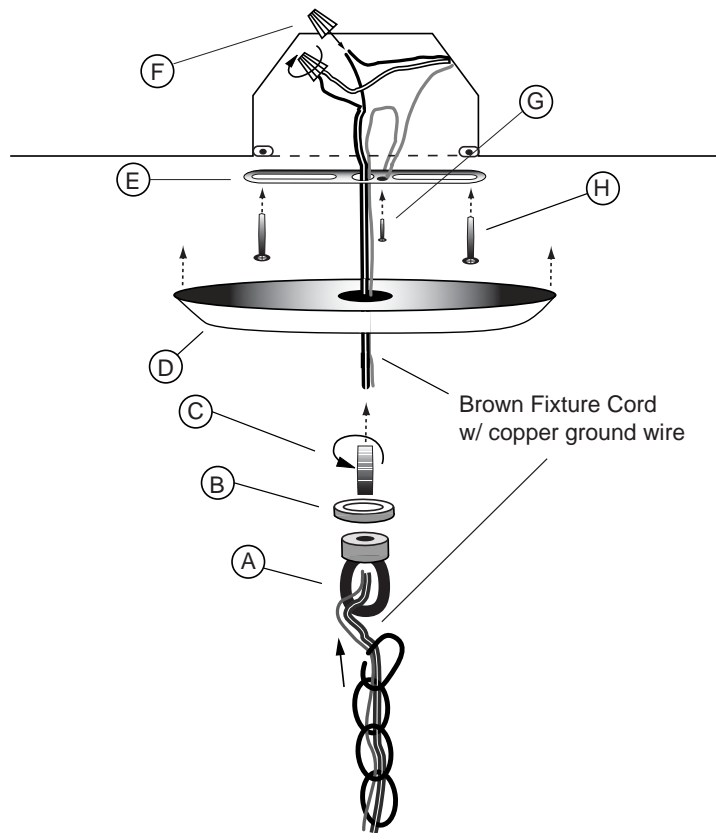
1. Insert one of the threaded ends of the 3/8" diameter pipe (B) into the nozzle of the socket assembly (A). (NOTE: It will be necessary to feed the brown fixture wire and bare copper ground wire through the pipe as you perform this step.)
2. Feed the wires through the center hole of the bottom of the Top Assembly Disk and then through 1" female loop (C). (NOTE: The top of the Top Assembly Disk is the side with the weld marks.)
3. Insert the 3/8" diameter pipe (which was attached to socket assembly from Step 1 above) into the center hole of the Top Assembly disk. Secure with 1" female loop (C).
4. Insert the three side arms (E) into oblong holes in top assembly disk. Insert one chain link (D) into each of the 3 side tabs then attach the links to the holes provided on the fixture bowl. Close each link with a pair of pliers.
5. The fixture is now ready for installation to the ceiling, so please proceed to section B.

### CRESTLINE FOYER SERIES - WITH SIDE ARMS

#### PARTS LIST - SECTION B

- A. Screw Collar Loop (1)
- B. Large Washer Nut for Screw Collar Loop (1)
- C. 1½" Threaded Pipe (1)
- D. Canopy (1)
- E. Cross bar (1)
- F. Wire Connectors (2)
- G. Green Ground Screw (1)
- H. 1" or 1½" Screws (2)

-- 3' matching chain



#### SECTION B - CHAIN HANGING INSTALLATION

1. Determine the desired height of the fixture from the ceiling, remove or add chain links to adjust for this height. Open chain links at the top and bottom of the chain to attach to the screw collar loop ( A ) and 1" loop from the Top Assembly Disk in Sections A. **USE LOOP TO SUPPORT CHAIN, NOT ELECTRICAL CORD.**
2. Feed the brown cord and copper ground wire through chain, skipping every other link, and then through the center hole of the Screw Collar Loop ( A ). Attach the last link to the screw collar loop.
3. Unscrew the Large Washer Nut ( B ) on the Screw Collar Loop and move it down the chain toward the fixture.
4. Feed the brown or black fixture wire and copper ground wire through the Threaded Pipe ( C ). Thread the Threaded Pipe into the Screw Collar Loop at one end
5. Feed the chain through the rustic canopy ( D ), rounded side toward fixture, and move it down the chain toward the fixture.
6. Thread the Threaded Pipe into the straight Cross bar ( E ) at the other end - green ground screw toward fixture.
7. Lift the fixture up to the ceiling outlet box. Place the Cross bar on the ceiling box and secure with machine screws ( H ).
8. Pull out the power supply wire out of the ceiling outlet box. Using the Wire Connectors ( F ), connect the white supply wire to the ridged fixture wire and connect the black supply wire to round fixture wire. Be sure no bare wires are exposed outside of wire connectors. Tuck extra wires back into the ceiling outlet box.
9. Wrap, in a clockwise direction, the green ground wire from the ceiling box and the copper ground wire from the fixture around the Green Ground Screw ( G ) on the Cross bar. Tighten.
10. Raise the canopy up to the ceiling box with the center mounting hole aligned with the center of the screw collar loop.
11. Raise the Large Washer Nut ( B ) up to the screw collar loop and canopy. Tighten until canopy is secure against the ceiling. (Note: It may be necessary to shorten the Threaded Pipe by threading it further into the cross bar.
12. Electricity can be now restored to the fixture.

**LIMITED 2-YEAR WARRANTY:** Avalanche Ranch Light Company warrants that its products are free of defects in workmanship and materials for a period of two years from date of purchase. If within two years from date of purchase any of its products are found defective in workmanship or materials, Avalanche Ranch Light Company will repair or replace, at its sole option, the defective product upon presentation of proof of purchase and the defective product.

THIS WARRANTY IS IN LIEU OF ALL OTHER WARRANTIES INCLUDING, WITHOUT LIMITATION, ANY IMPLIED WARRANTIES OF MERCHANTABILITY OR FITNESS FOR A PARTICULAR PURPOSE. Avalanche Ranch Light Company's liability under any warranty, whether express or implied, is LIMITED SOLELY TO THE REPAIR OR REPLACEMENT OF THE DEFECTIVE PRODUCT FOR THE DURATION OF THIS WARRANTY AND DOES NOT INCLUDE LABOR OR OTHER CONSEQUENTIAL OR INCIDENTAL DAMAGES.