

RIDGEWOOD CLOSE-TO-CEILING

HW KIT # 94-A472

PARTS LIST

- A. Cap Nut
- B. Dish
- C. Glass
- D. 2" Machine Screws (2)
- E. 2" Threaded Pipe
- F. 1" Machine Screws (2)
- G. Round Cross Bar
- H. Wire Connectors (3)
- I. Acorn Nuts (2)

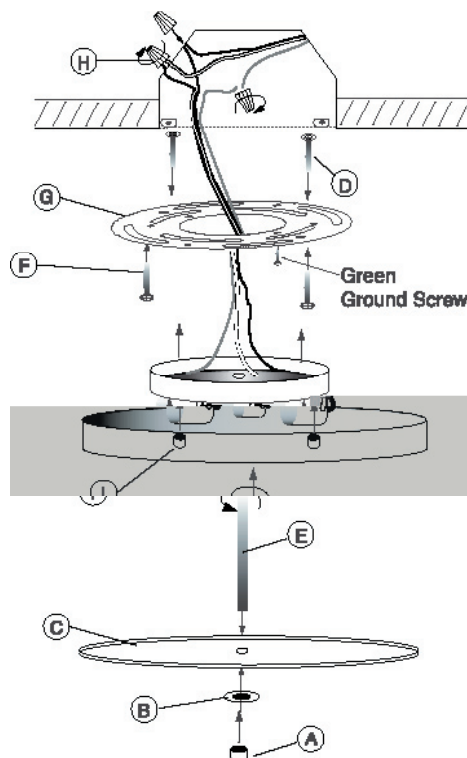
WIRING AND INSTALLATION INSTRUCTIONS

1. Take 2" screws (D) and thread all the way into the two threaded holes near the center of the round cross bar (G) aligning with the two holes in the back of fixture.
2. Pull power supply wires through center hole of cross bar.
3. Fasten cross bar to junction box using 1" screws (F). Be sure cross bar is flush with wall and projecting 2" screws (D) are level with ground.
4. For those fixtures where a ground wire is not attached, wrap green ground wire from junction box around Green Ground Screw in clockwise direction and thread into the round cross bar (G).
5. Using the wire connectors (H), connect the white supply wire to the white fixture wire and connect the black supply wire to black fixture wire. Be sure no bare wires are exposed outside of wire connectors.
6. For those fixtures where a ground wire is attached, use a wire connector (H) to connect the ground wire from the fixture to the ground wire in the junction box.
7. Place back of fixture over junction box with 2" screws protruding through mounting holes. Secure with acorn nuts (I) until tight.
8. Thread the threaded pipe (E) into the fixture
9. Raise the glass (C) up to the fixture so the threaded pipe (E) goes through the center hole in the glass.
10. Secure the glass (C) with the dish (B) and the cap nut (A).
11. Electricity may now be restored to the fixture.

GENERAL

1. To ensure the success of the installation, be sure to read these instructions and review the diagrams thoroughly before beginning.
2. All electrical connections must be in accordance with local codes, ordinances, or the National Electrical Code. If you are unfamiliar with methods of installing electrical wiring, secure the services of a qualified licensed electrician.
3. These fixtures are intended to be mounted to a minimum 4" x 1-1/8" deep round outlet box. The box must be directly supported by the building structure.
4. **Before starting the installation, disconnect the power by turning off the circuit breaker or by removing the fuse at the fuse box. Turning the power off using the light switch is not sufficient to prevent electrical shock.**

NOTE: The important safeguards and instructions appearing in these instructions are not meant to cover all possible conditions and situations that may occur. It must be understood that common sense, caution, and care are factors, which cannot be built into any product. These factors must be supplied by the person(s) caring for and operating the fixture.



LIMITED 2-YEAR WARRANTY: Avalanche Ranch Light Company warrants that its products are free of defects in workmanship and materials for a period of two years from date of purchase. If within two years from date of purchase any of its products are found defective in workmanship or materials, Avalanche Ranch Light Company will repair or replace, at its sole option, the defective product upon presentation of proof of purchase and the defective product.

THIS WARRANTY IS IN LIEU OF ALL OTHER WARRANTIES INCLUDING, WITHOUT LIMITATION, ANY IMPLIED WARRANTIES OF MERCHANTABILITY OR FITNESS FOR A PARTICULAR PURPOSE. Avalanche Ranch Light Company's liability under any warranty, whether express or implied, is LIMITED SOLELY TO THE REPAIR OR REPLACEMENT OF THE DEFECTIVE PRODUCT FOR THE DURATION OF THIS WARRANTY AND DOES NOT INCLUDE LABOR OR OTHER CONSEQUENTIAL OR INCIDENTAL DAMAGES.