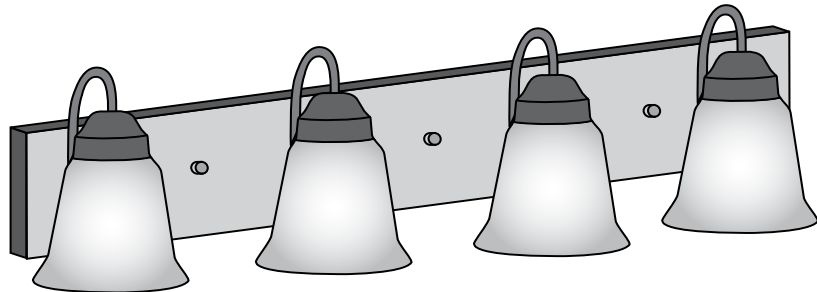


### PARTS LIST - SECTION A

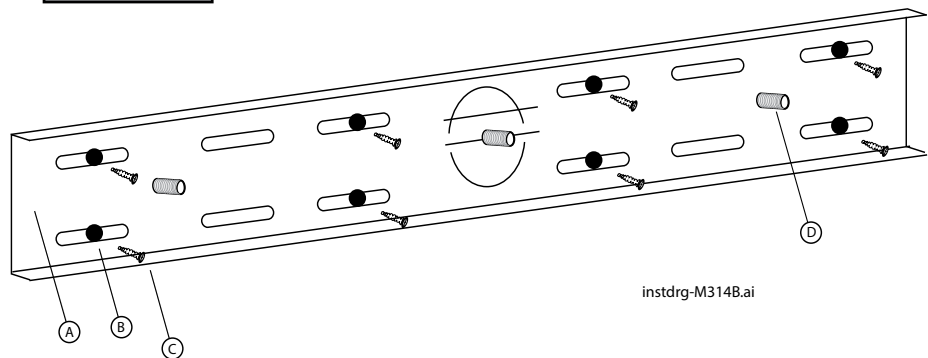
- A. Fire plate
- B. Plastic anchor (6)
- C. 1" screws (6)
- D. 3/4" threaded pipe (3)

DIAGRAM 1



instdrg-M314A.ai

DIAGRAM 2



instdrg-M314B.ai

### GENERAL

1. To ensure the success of the installation, be sure to read these instructions and review the diagrams thoroughly before beginning.
2. All electrical connections must be in accordance with local codes, ordinances, or the National Electrical Code. If you are unfamiliar with methods of installing electrical wiring, secure the services of a qualified licensed electrician.
3. These fixtures are intended to be mounted to a minimum 4" x 1-1/8" deep round outlet box. The box must be directly supported by the building structure.

4. **Before starting the installation, disconnect the power by turning off the circuit breaker or by removing the fuse at the fuse box. Turning the power off using the light switch is not sufficient to prevent electrical shock.**

NOTE: The important safeguards and instructions appearing in these instructions are not meant to cover all possible conditions and situations that may occur. It must be understood that common sense, caution, and care are factors, which cannot be built into any product. These factors must be supplied by the person(s) caring for and operating the fixture.

### SECTION A - FIRE PLATE INSTALLATION

1. Separate and remove the front plate (diagram 1) from the fire plate (diagram 2) of the bath fixture.
2. Hold the fire plate (A) to the wall with the large center hole over the junction box and aligned to the mounting holes. Make sure the fire plate is level to the floor. Mark wall through open slots on top and bottom and both sides of the fire plate. Remove Wall Mounting Bracket.
2. Drill 3/16" holes in wall at marks.
3. Insert plastic anchors (B) into the holes.
4. Place fire plate flush to wall with open slots over plastic anchors. Insert metal screws (C) through fire plate and tighten into plastic anchors. Be sure the fire plate is secure.
5. Insert a 3/4" threaded pipe (D) into each of the nuts as shown. Tighten completely.
6. Proceed to Section B.

**AVALANCHE**

**NI**

**LIGHT  
COMPANY**

**HW KIT # 94-H324**

PO Box 31397  
Bellingham, WA 98228-3397  
(t) 360-752-1610  
(f) 360-752-1612

INSTALLATION INSTRUCTIONS

