

PARTS LIST - SECTION A

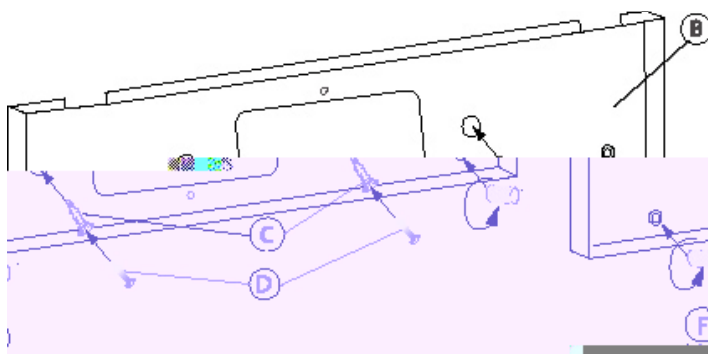
- A. Fixture Back Plate with Arm
- B. Mounting Plate (1)
- C. Plastic Anchors (2)
- D. 1" Machine Screws (2)
- E. Wire Connectors (3)
- F. 3/4" Threaded Pipe (2)
- G. Rustic Cap Nut (2)

GENERAL

1. To ensure the success of the installation, be sure to read these instructions and review the diagrams thoroughly before beginning.
2. All electrical connections must be in accordance with local codes, ordinances, or the National Electrical Code. If you are unfamiliar with methods of installing electrical wiring, secure the services of a qualified licensed electrician.
3. These fixtures are intended to be mounted to a minimum 4" x 1-1/8" deep round outlet box. The box must be directly supported by the building structure.
4. **Before starting the installation, disconnect the power by turning off the circuit breaker or by removing the fuse at the fuse box. Turning the power off using the light switch is not sufficient to prevent electrical shock.**

NOTE: The important safeguards and instructions appearing in these instructions are not meant to cover all possible conditions and situations that may occur. It must be understood that common sense, caution, and care are factors, which cannot be built into any product. These factors must be supplied by the person(s) caring for and operating the fixture.

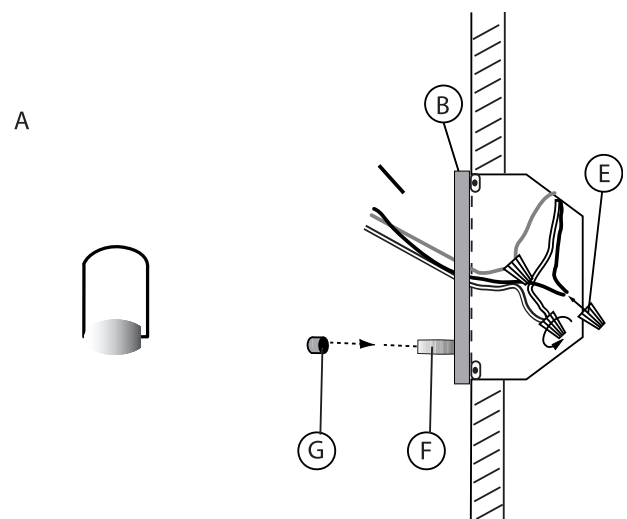
DIAGRAM 1



SECTION A - WIRING AND INSTALLATION

1. Following Diagram 1, hold mounting plate (B) to the wall with the large center hole over the junction box. Make sure the mounting plate is level with the floor. Mark wall through open slot on top and bottom on both sides. Remove mounting plate.
2. Screw plastic anchors (C) into the wall at the marks.
3. Place mounting plate (B) flush to wall with open holes over plastic anchors (C). Insert machine screws (D) through mounting plate (B) and tighten into plastic anchors (C). Be sure mounting plate is secure.
4. Insert 3/4" threaded pipes (F) into each of the nuts, attached to the mounting plate (B).
5. Following Diagram 2, hold the fixture back plate (A) up to mounting plate (B).
6. Using wire connectors (E), connect the white supply wire to the white fixture wire and connect the black supply wire to the black fixture wire. Then connect the ground wire from the fixture to the ground wire in the junction box. Be sure no bare wires are exposed outside the wire connectors.
7. Tuck the excess wires back into the junction box.
8. Place the lip on the back of the assembled fixture (A) over the top edge of the mounting plate (B). Align the 3/4" threaded pipe (F) through the hole in the back plate. Secure fixture using the rustic cap nut (G).
9. Now proceed to section B.

DIAGRAM 2





PO Box 31517
BELLINGHAM, WA 98228-3517
(T) 360-752-2989 888-520-7046
(F) 360-255-2172 888-520-7048

CASCADE DOUBLE BATH

HW KIT # 94-M382

