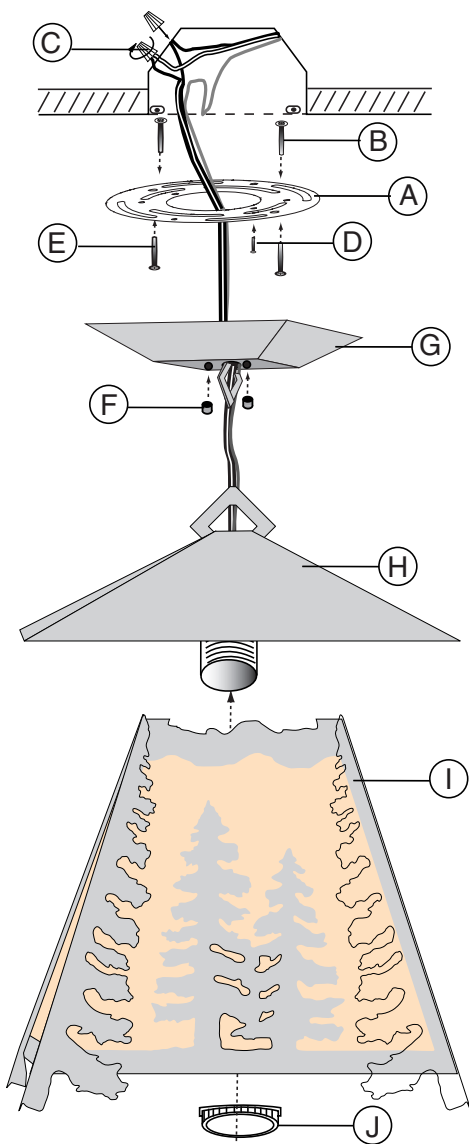


**SMOKY MTN CEILING
-SMALL & LARGE**

HW KIT # 94-M475

PARTS LIST

- A. Round Cross bar
- B. 1½" Screws (2)
- C. Wire Connectors (2)
- D. Green Ground Screw
- E. 1" Screws (2)
- F. Acorn Nuts (2)
- G. Ceiling Canopy
- H. Lantern Roof
- I. Lantern
- J. White Die Cast Ring



GENERAL

1. To ensure the success of the installation, be sure to read these instructions and review the diagrams thoroughly before beginning.
2. All electrical connections must be in accordance with local codes, ordinances, or the National Electrical Code. If you are unfamiliar with methods of installing electrical wiring, secure the services of a qualified licensed electrician.
3. These fixtures are intended to be mounted to a minimum 4" x 1-1/8" deep round outlet box. The box must be directly supported by the building structure.
4. **Before starting the installation, disconnect the power by turning off the circuit breaker or by removing the fuse at the fuse box. Turning the power off using the light switch is not sufficient to prevent electrical shock.**

NOTE: The important safeguards and instructions appearing in these instructions are not meant to cover all possible conditions and situations that may occur. It must be understood that common sense, caution, and care are factors, which cannot be built into any product. These factors must be supplied by the person(s) caring for and operating the fixture.

WIRING AND INSTALLATION

1. Feed the brown cord and copper ground wire through the center hole of the canopy. Hook the top of the lantern roof (H) to the hook on the ceiling canopy (G).
2. Thread the 1½" machine screws (B) into both sides of the round cross bar (A) and tighten. Use the holes 1 3/8" from the center and make sure the ground screw hole dimples point toward fixture.
3. Feed the brown cord and bare copper ground wire through the center of the round cross bar (A).
4. Using the wire connectors (C), connect the ridged supply wire to ridged fixture wire. Connect the smooth supply wire to the smooth fixture wire. Be sure no bare wires are exposed outside of wire connectors.
5. Wrap, in a clockwise direction, both the bare copper ground wire (from the fixture) and the ground wire from the junction box around the Green Ground Screw (D) on the cross bar. Tighten.
6. Place the cross bar on the ceiling box and secure with the machine screws (E).
7. Raise the ceiling canopy (G) up to the ceiling box with the two mounting holes aligned with two 1½" screws (B) protruding out of the cross bar (A).
8. Secure with Acorn Nuts (F)
9. Secure the lantern (I) to the roof (H) using the white die cast ring (J).
10. Electricity may now be restored.

LIMITED 2-YEAR WARRANTY: Mountain Ranch Lighting warrants that its products are free of defects in workmanship and materials for a period of two years from date of purchase. If within two years from date of purchase any of its products are found defective in workmanship or materials, Mountain Ranch Lighting will repair or replace, at its sole option, the defective product upon presentation of proof of purchase and the defective product.

THIS WARRANTY IS IN LIEU OF ALL OTHER WARRANTIES INCLUDING, WITHOUT LIMITATION, ANY IMPLIED WARRANTIES OF MERCHANTABILITY OR FITNESS FOR A PARTICULAR PURPOSE. Mountain Ranch Lighting's liability under any warranty, whether express or implied, is LIMITED SOLELY TO THE REPAIR OR REPLACEMENT OF THE DEFECTIVE PRODUCT FOR THE DURATION OF THIS WARRANTY AND DOES NOT INCLUDE LABOR OR OTHER CONSEQUENTIAL OR INCIDENTAL DAMAGES.