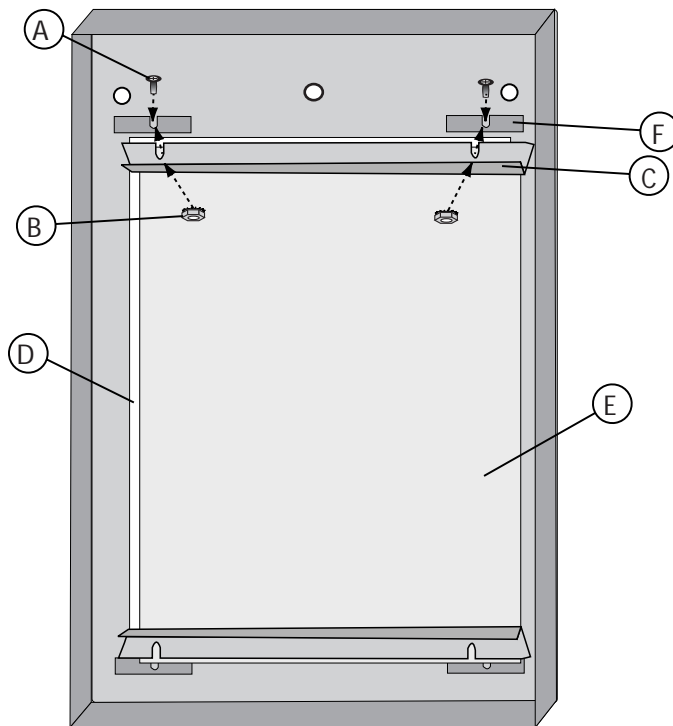


## PARTS LIST - SECTION A

- A. 3/8" Machine Screws (4)
- B. Locking Hex Nut (4)
- C. Bracket Bar (2)
- D. Mirror (1)
- E. Cardboard Backing (1)
- F. Mirror Brackets (2)

## SECTION A - FIXTURE ASSEMBLY

1. Following diagram 2, carefully place mirror (D) in fixture frame. Place the cardboard backing (E) over the back of the mirror.
2. Place the bracket bar (F) up the mirror brackets welded inside the fixture body.
3. Secure using machine screws (A) and locking hex nuts (B).
4. Proceed to section B.



## GENERAL

1. To ensure the success of the installation, be sure to read these instructions and review the diagrams thoroughly before beginning.
2. All electrical connections must be in accordance with local codes, ordinances, or the National Electrical Code. If you are unfamiliar with methods of installing electrical wiring, secure the services of a qualified licensed electrician.
3. These fixtures are intended to be mounted to a minimum 4" x 1-1/8" deep round outlet box. The box must be directly supported by the building structure.
4. **Before starting the installation, disconnect the power by turning off the circuit breaker or by removing the fuse at the fuse box. Turning the power off using the light switch is not sufficient to prevent electrical shock.**

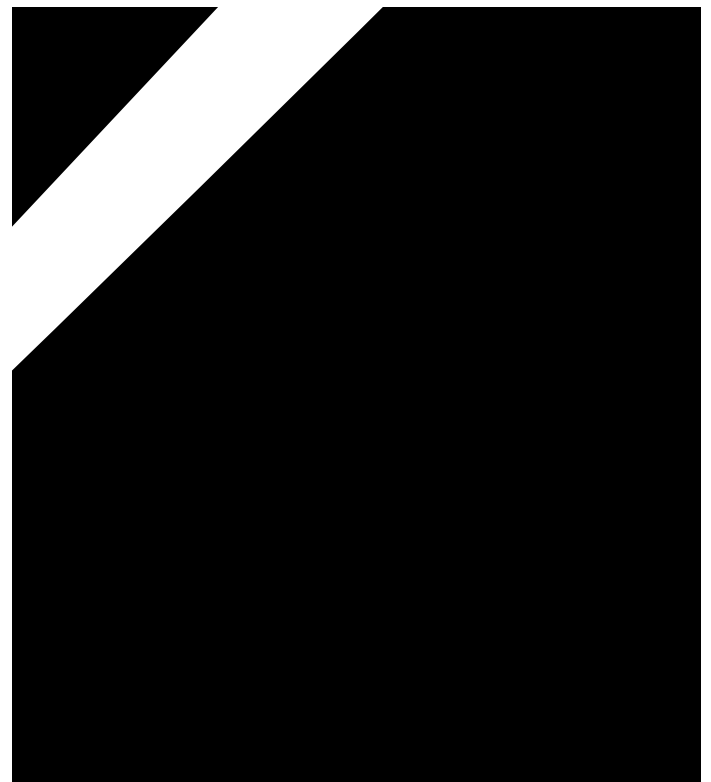
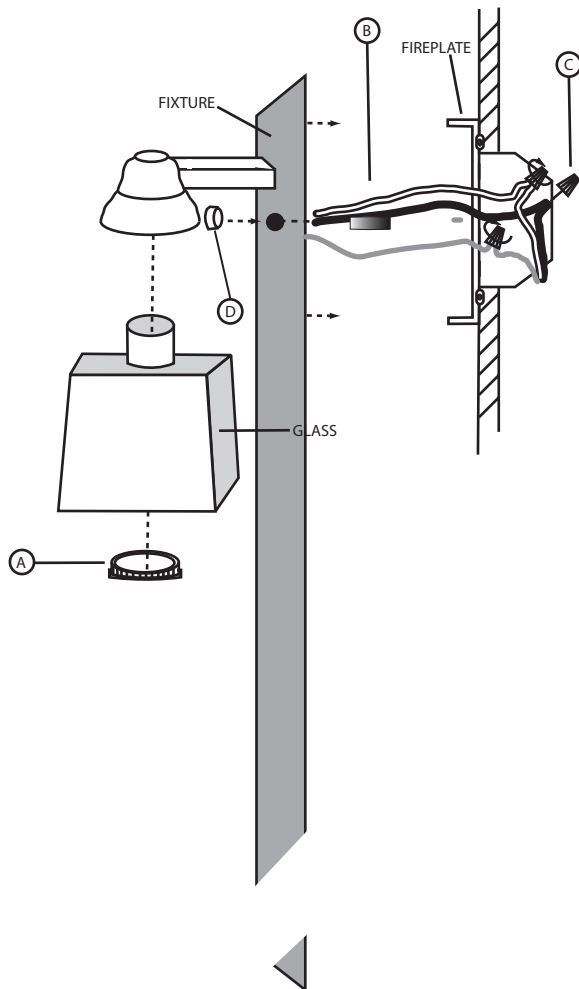
NOTE: The important safeguards and instructions appearing in these instructions are not meant to cover all possible conditions and situations that may occur. It must be understood that common sense, caution, and care are factors, which cannot be built into any product. These factors must be supplied by the person(s) caring for and

**PARTS LIST - SECTION B**

- A. Fixture (1)
- B. Fire Plate (1)
- C. Plastic Anchors (4)
- D. 1" Machine Screws (4)
- E. 3/4" Treaded Pipe (3)
- F. Rustic Caps (3)
- G. White Die Cast rings (3)
- H. Glass (3)
- I. Wire Connectors (3)

**SECTION B - INSTALLATION**

1. Hold re plate (B) up to wall. Mark wall to designate placement of anchors.
2. Drill 3/16" holes where the marks are.
3. Insert anchors (C) into wall. Hold re plate (B) up to wall again and secure using 1" machine screws (D).
4. Thread 3/4" threaded pipes (E) into nuts on re plate (B).
5. Connect the black supply wire to the black fixture wire and connect the white supply wire to the white wire using wire connectors.
6. Connect the supply ground wire to the bare ground wire on fixture using wire connector.
7. Line up holes above the pipes on the re plate (B) to wall using the rustic caps (F).
8. Place glass (H) inside the socket and secure using the white die cast rings (G). Do not touch the glass as the glass may break.
9. Electricity can now be turned on to the fixture.



**LIMITED 2-YEAR WARRANTY:** Avalanche Ranch Light Company warrants that its product is free of defects in workmanship and materials for a period of two years from date of purchase. If within two years from date of purchase any of its products are found defective in workmanship or materials, Avalanche Ranch Light Company will repair or replace, at its option, the defective product upon presentation of proof of purchase and the defective product.

THIS WARRANTY IS IN LIEU OF ALL OTHER WARRANTIES INCLUDING, WITHOUT LIMITATION, ANY IMPLIED WARRANTIES OF MERCHANTABILITY OR FITNESS FOR A PARTICULAR PURPOSE. Avalanche Ranch Light Company's liability under any warranty, whether express or implied, is LIMITED SOLELY TO THE REPAIR OR REPLACEMENT OF THE DEFECTIVE PRODUCT FOR THE DURATION OF THIS WARRANTY AND DOES NOT INCLUDE LABOR OR OTHER CONSEQUENTIAL OR INCIDENTAL DAMAGES.