

PARTS LIST - SECTION A

- A. 1½" Screws (2)
- B. Round Cross bar (1)
- C. Wire Connectors (2)
- D. Green Ground Screw (1)
- E. 1" Screws (2)
- F. Fixture assembly
- G. Acorn Nuts (2)



GENERAL

1. To ensure the success of the installation, be sure to read these instructions and review the diagrams thoroughly before beginning.
2. All electrical connections must be in accordance with local codes, ordinances, or the National Electrical Code. If you are unfamiliar with methods of installing electrical wiring, secure the services of a qualified licensed electrician.
3. These fixtures are intended to be mounted to a minimum 4" x 1-1/8" deep round outlet box. The box must be directly supported by the building structure.
4. **Before starting the installation, disconnect the power by turning off the circuit breaker or by removing the fuse at the fuse box. Turning the power off using the light switch is not sufficient to prevent electrical shock.**

NOTE: The important safeguards and instructions appearing in these instructions are not meant to cover all possible conditions and situations that may occur. It must be understood that common sense, caution, and care are factors, which cannot be built into any product. These factors must be supplied by the person(s) caring for and operating the fixture.

SECTION A - INSTALLATION INSTRUCTIONS

NOTE: These instructions pertain to fixtures that are directly installed onto a ceiling outlet box and are wired with a brown cord and bare copper ground wire.

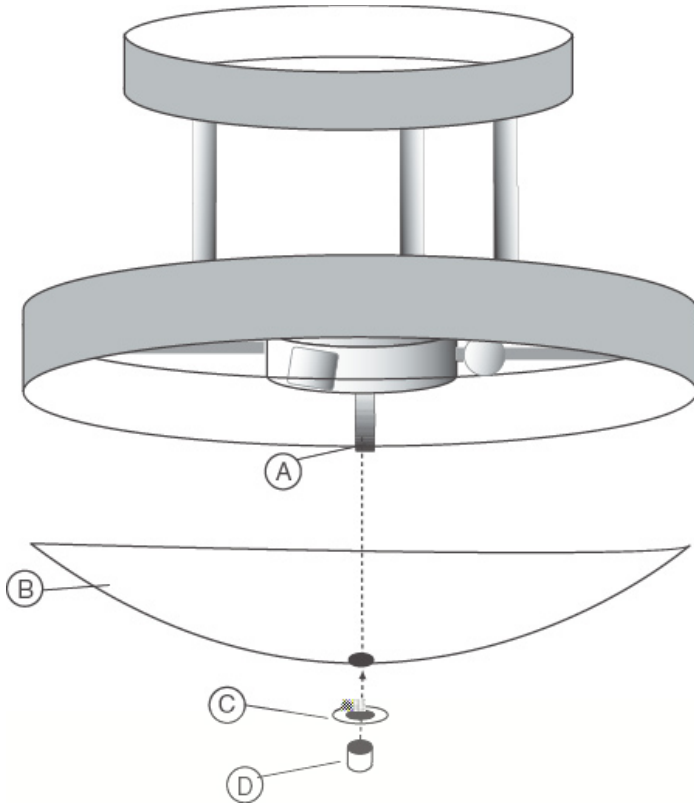
1. Thread the 1½" machine screws (A) into opposite sides of the round cross bar (B) and tighten. Use the pair of holes 1 3/8" from the center.
2. Feed the white and black wire through the center of the cross bar (B). Make sure the green ground screw points toward fixture.
3. Using the wire connectors (C), connect the white supply wire to the white fixture wire and connect the black supply wire the black fixture wire. Be sure no bare wires are exposed outside of wire connectors.
4. Wrap, in a clockwise direction, the green ground wire (from the ceiling box) and the bare copper ground wire (from the fixture) around the green ground screw (D) on the cross bar. Tighten. (NOTE: The ground screw hole is the one with the dimples on either side of the hole.)
5. Place the cross bar on the ceiling box and secure with the machine screws (E).
6. Raise the fixture/canopy up to the ceiling box with the two mounting hole aligned with two 1½" screws protruding out of the cross bar.
7. Secure with acorn nuts (G)
8. Now proceed to section B.

PARTS LIST - SECTION B

- A. Threaded Pipe (1)
- B. Glass (1)
- C. Disk with Felt (1)
- D. Rustic Cap (1)

SECTION B - FIXTURE ASSEMBLY

1. Install the light bulbs (not included).
2. Hold the glass (B) to the mounted fixture while aligning the hole in the glass with the threaded pipe (A) hanging down from the fixture.
3. Secure with the disk with felt (C) and the rustic cap (D).
4. Electricity may now be restored.



LIMITED 2-YEAR WARRANTY: Avalanche Ranch Light Company warrants that its products are free of defects in workmanship and materials for a period of two years from date of purchase. If within two years from date of purchase any of its products are found defective in workmanship or materials, Avalanche Ranch Light Company will repair or replace, at its sole option, the defective product upon presentation of proof of purchase and the defective product.

THIS WARRANTY IS IN LIEU OF ALL OTHER WARRANTIES INCLUDING, WITHOUT LIMITATION, ANY IMPLIED WARRANTIES OF MERCHANTABILITY OR FITNESS FOR A PARTICULAR PURPOSE. Avalanche Ranch Light Company's liability under any warranty, whether express or implied, is LIMITED SOLELY TO THE REPAIR OR REPLACEMENT OF THE DEFECTIVE PRODUCT FOR THE DURATION OF THIS WARRANTY AND DOES NOT INCLUDE LABOR OR OTHER CONSEQUENTIAL OR INCIDENTAL DAMAGES.