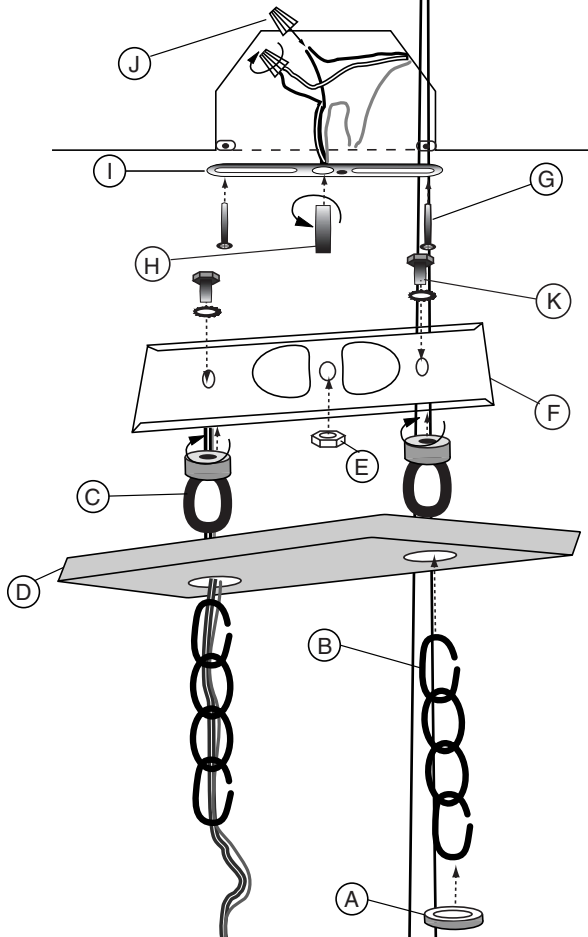


GENERAL

1. To ensure the success of the installation, be sure to read these instructions and review the diagrams thoroughly before beginning.
2. All electrical connections must be in accordance with local codes, ordinances, or the National Electrical Code. If you are unfamiliar with methods of installing electrical wiring, secure the services of a qualified licensed electrician.
3. These fixtures are intended to be mounted to a minimum 4" x 1-1/8" deep round outlet box. The box must be directly supported by the building structure.
4. **Before starting the installation, disconnect the power by turning off the circuit breaker or by removing the fuse at the fuse box. Turning the power off using the light switch is not sufficient to prevent electrical shock.**

NOTE: The important safeguards and instructions appearing in these instructions are not meant to cover all possible conditions and situations that may occur. It must be un-



PARTS LIST

- | | |
|---------------------------|-----------------------------------|
| A. Screw Collars (2) | G. 1" Machine Screws (2) |
| B. Chain Links | H. 1/4" IP x 1 1/4" Threaded Pipe |
| C. Screw Collar Loops (2) | I. Large Straight Cross Bar |
| D. Ceiling Canopy | J. Wire Connectors (2) |
| E. 1/4" IP Hex Nut | K. Hex Nipples & Lock Washers (2) |
| F. Fire Plate | |
- 3 Chain (2)

FIXTURE ASSEMBLY & INSTALLATION

1. Place the straight cross bar (I) on the junction box and secure with the machine screws (G).
2. Thread the threaded pipes (H) into the straight cross bar (I) so that the pipe extends about a 1" from the bottom.
3. Secure the screw collar loop (C) to the fire plate (F) using hex nipples and lock washers (K). (Note: Screw collar loops should be on opposite sides of flange).
4. Feed the brown cord and copper ground wire through chain, skipping every other link.
5. Feed the fixture wires through one screw collar (A) and slip the collars down the pipes.
6. Feed fixture wires through the big hole in the ceiling canopy (D) and slip towards the fixture.
7. Feed the fixture wire through one of the screw collar loops (C) that are fastened to the fire plate (F).
8. Secure the fire plate (F) to the junction box by slipping the threaded pipe (H) through the center hole of the fire plate (F). Attach with the hex nut (E).
9. Determine the desired height of the fixture from the ceiling, remove or add chain links to adjust for this height. Open chain links (B) at the top and bottom of the chain to attach to the screw collar loop (C) and 1" loop on the fixture. **USE THE CHAIN TO SUPPORT THE LIGHT, NOT ELECTRICAL CORD.**
10. Using the wire connectors (J), connect the white supply wire to the ridged fixture wire and connect the black supply wire to round fixture wire. Be sure no bare wires are exposed outside of wire connectors. Tuck extra wires back into the ceiling outlet box.
11. Now raise the ceiling canopy (D) to the junction box and secure with the screw collars (A).
12. Install the glass by unscrewing the white die cast ring located on the socket, slide the glass over the socket and secure with the white die cast ring. (Note: It may be necessary to rotate the glass slightly together with the retaining ring to get a secure fit).
13. Now electricity can be restored to the fixture.

LIMITED 2-YEAR WARRANTY: Mountain Ranch Lighting warrants that its products are free of defects in workmanship and materials for a period of two years from date of purchase. If within two years from date of purchase any of its products are found defective in workmanship or materials, Mountain Ranch Lighting will repair or replace, at its sole option, the defective product upon presentation of proof of purchase and the defective product.

THIS WARRANTY IS IN LIEU OF ALL OTHER WARRANTIES INCLUDING, WITHOUT LIMITATION, ANY IMPLIED WARRANTIES OF MERCHANTABILITY OR FITNESS FOR A PARTICULAR PURPOSE. Mountain Ranch Lighting's liability under any warranty, whether express or implied, is LIMITED SOLELY TO THE REPAIR OR REPLACEMENT OF THE DEFECTIVE PRODUCT FOR THE DURATION OF THIS WARRANTY AND DOES NOT INCLUDE LABOR OR OTHER CONSEQUENTIAL OR INCIDENTAL DAMAGES.