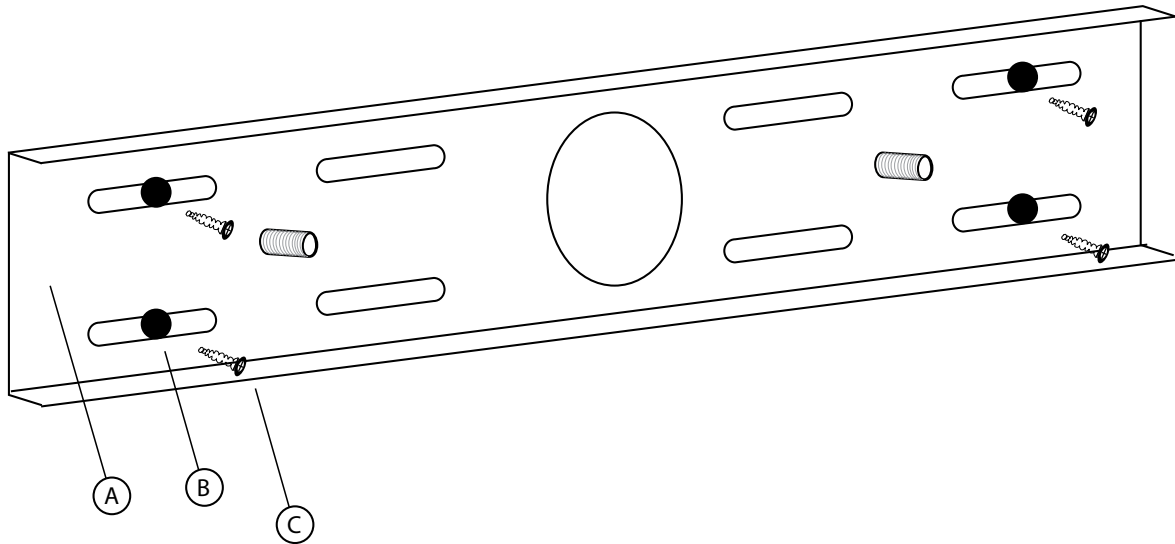


PO Box 31397
 Bellingham, WA 98228-3397
 (t) 360-752-1610
 (f) 360-752-1612

INSTALLATION INSTRUCTIONS

PARTS LIST - SECTION A

- A. Fomed fireplate
- B. Plastic anchor (4)
- C. 1" metal screws (4)



GENERAL

1. To ensure the success of the installation, be sure to read these instructions and review the diagrams thoroughly before beginning.
2. All electrical connections must be in accordance with local codes, ordinances, or the National Electrical Code. If you are unfamiliar with methods of installing electrical wiring, secure the services of a qualified licensed electrician.
3. These fixtures are intended to be mounted to a minimum 4" x 1-1/8" deep round outlet box. The box must be directly supported by the building structure.
4. **Before starting the installation, disconnect the power by turning off the circuit breaker or by removing the fuse at the fuse box. Turning the power off using the light switch is not sufficient to prevent electrical shock.**

NOTE: The important safeguards and instructions appearing in these instructions are not meant to cover all possible conditions and situations that may occur. It must be understood that common sense, caution, and care are factors, which cannot be built into any product. These factors must be supplied by the person(s) caring for and operating the fixture.

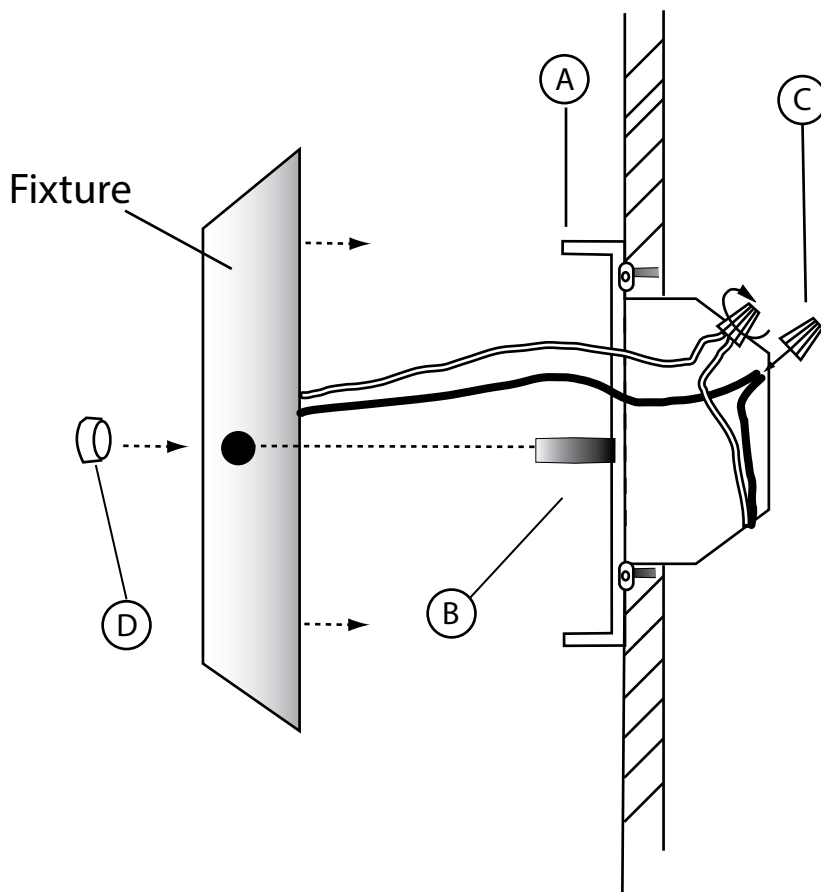
SECTION A - FIREPLATE INSTALLATION

1. Separate and remove the fireplate from the backplate of the bath fixture.
2. Hold the fireplate to the wall with the large center hole over the junction box and aligned to the mounting holes. Make sure the fireplate is level to the floor. Mark the wall through open slots on the top, bottom, and both sides of the fireplate. Remove Wall Mounting Bracket.
3. Drill 3/16" holes into the wall over the marks.
4. Insert plastic anchors (B) into the holes.
5. Place the fireplate flush to the wall with open slots over the plastic anchors. Insert metal screws (C) through the fireplate, and tighten them into the plastic anchors. Be sure the fireplate is level to the floor and is secure.
6. Proceed to Section B.

PARTS LIST - SECTION B

- A. Fireplate (installed in section A)
- B. 3/4" Threaded pipes
- C. Wire Connectors (2)
- D. Cap Nut (2)

DIAGRAM 3



instdrg-A130.ai

SECTION B - WIRING AND FINAL INSTALLATION

1. Pull the power supply wires out of the junction box.
2. Using the Wire Connectors (C), connect the white supply wire to the white fixture wires and connect the black supply wire to black fixture wires. Be sure no bare wires are exposed outside of the wire connectors.
3. Place the front of the fixture over fireplate (A) with each of the 3/4" threaded pipes (B), aligned to the corresponding hole in the fixture's backplate.
4. Secure with the cap nuts (D).
5. Install the glass shades. Use 60 Watt maximum bulbs, type B11 (not provided).
6. Electricity may now be restored to the fixture.

LIMITED 2-YEAR WARRANTY: Avalanche Ranch Light Company warrants that its products are free of defects in workmanship and materials for a period of two years from date of purchase. If within two years from date of purchase any of its products are found defective in workmanship or materials, Avalanche Ranch Light Company will repair or replace, at its sole option, the defective product upon presentation of proof of purchase and the defective product.

THIS WARRANTY IS IN LIEU OF ALL OTHER WARRANTIES INCLUDING, WITHOUT LIMITATION, ANY IMPLIED WARRANTIES OF MERCHANTABILITY OR FITNESS FOR A PARTICULAR PURPOSE. Avalanche Ranch Light Company's liability under any warranty, whether express or implied, is LIMITED SOLELY TO THE REPAIR OR REPLACEMENT OF THE DEFECTIVE PRODUCT FOR THE DURATION OF THIS WARRANTY AND DOES NOT INCLUDE LABOR OR OTHER CONSEQUENTIAL OR INCIDENTAL DAMAGES.