

CRESTLINE OVAL CHANDELIER – WITH SIDE ARMS

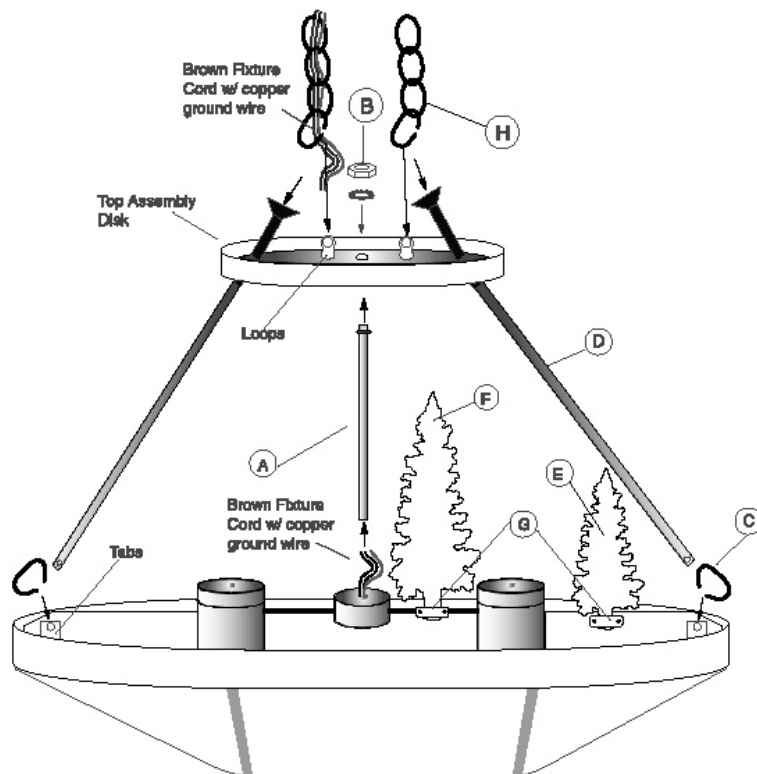
HW KIT # 94-A412

FIXTURE COMPONENTS:

- Fixture bowl with sockets
- Top Assembly Set

PARTS LIST - SECTION A

- A. 3/8" dia x 19" long pipe with thread at one end (1)
- B. Hex nut and lockwasher set (1)
- C. Chain Links (4)
- D. Side Arms with holes at one end (4)
- E. 9" Single Tree (6- On selected models)
- F. 13.75" Single Tree (2- On selected models)
- G. 1" bracket with 2 holes and machine screws (8)
- H. Hanging Chain (2- 3' is standard)



GENERAL

1. To ensure the success of the installation, be sure to read these instructions and review the diagrams thoroughly before beginning.
2. All electrical connections must be in accordance with local codes, ordinances, or the National Electrical Code. If you are unfamiliar with methods of installing electrical wiring, secure the services of a qualified licensed electrician.
3. These fixtures are intended to be mounted to a minimum 4" x 1-1/8" deep round outlet box. The box must be directly supported by the building structure.
4. **Before starting the installation, disconnect the power by turning off the circuit breaker or by removing the fuse at the fuse box. Turning the power off using the light switch is not sufficient to prevent electrical shock.**

NOTE: The important safeguards and instructions appearing in these instructions are not meant to cover all possible conditions and situations that may occur. It must be understood that common sense, caution, and care are factors, which cannot be built into any product. These factors must be supplied by the person(s) caring for and operating the fixture.

LIMITED 2-YEAR WARRANTY: Avalanche Ranch Light Company warrants that its products are free of defects in workmanship and materials for a period of two years from date of purchase. If within two years from date of purchase any of its products are found defective in workmanship or materials, Avalanche Ranch Light Company will repair or replace, at its sole option, the defective product upon presentation of proof of purchase and the defective product.

SECTION A - ASSEMBLY INSTRUCTIONS

Before hanging your new Crestline Chandelier Light, the fixture must be assembled following these instructions.

1. Thread the steel pipe (A) into the center hole of the top assembly set and secure using the hex nut and lock washer set (B). (Note: Loops should be on opposite side of pipe.)
2. Feed the brown cord and copper ground wire through the pipe (A) and top assembly set.
3. Insert the side arms (D) into oblong holes in top assembly disk. Insert one chain link (C) into each of the side arms then attach the links to the tabs provided on the inside of the fixture bowl. Close each link with a pair of pliers.
4. Attach the desired length of hanging chain (H) to the loops on the top assembly disk.
5. Thread the brown fixture cord with copper ground wire through the links of one side of chain, skipping every other link.
6. For fixtures with pine trees, attach the 9" tall single trees (E) to the outer arms using the 1" bracket and machine screws (G). Attach the 2 13.75" tall single trees (F) to the inner arms using the 1" bracket and machine screws (G).
7. Now proceed to section B.

THIS WARRANTY IS IN LIEU OF ALL OTHER WARRANTIES INCLUDING, WITHOUT LIMITATION, ANY IMPLIED WARRANTIES OF MERCHANTABILITY OR FITNESS FOR A PARTICULAR PURPOSE. Avalanche Ranch Light Company's liability under any warranty, whether express or implied, is LIMITED SOLELY TO THE REPAIR OR REPLACEMENT OF THE DEFECTIVE PRODUCT FOR THE DURATION OF THIS WARRANTY AND DOES NOT INCLUDE LABOR OR OTHER CONSEQUENTIAL OR INCIDENTAL

CRESTLINE OVAL CHANDELIER – WITH SIDE ARMS

HW KIT # 94-A412

PARTS LIST - SECTION B

- A. Straight Cross Bar with ¼"IP Center Hole (1)
- B. 1" Machine Screws (2)
- C. ¼"IP x 1 ½" long threaded pipe (1)
- D. Ceiling Fire Plate (1)
- E. ¼"IP Hex Nut (1)
- F. Screw Collar with Loops (2)
- G. Ceiling Canopy (1)
- H. Green Ground Screw (1)
- I. Wire Connectors (2)
- J. Chain Sections (3' standard) (2)
- K. Hex Nipple (2)

SECTION B - CHAIN HANGING INSTALLATION

NOTE: This section applies to installation where the fixture is hung from a chain, including vaulted ceilings.

1. Add or remove chain links (J) for desired height.
2. Attach the cross bar (A) to junction box using machine screws (B).
3. Thread the ¼"IP x 1 ½" long threaded pipe (C) into the center of the cross bar.
4. With the flat side of the fire plate (D) facing down, attach the screw collar with loops (F) to the fire plate (D) using the hex nipple (K).
4. Align the fire plate (D) with the threaded pipe (C) and secure using the ¼"IP Hex Nut (E). Note: The fixture will be in the same direction as the fire plate, so choose direction at this time.
5. Unscrew the collars from the screw collar with loops (F) and feed wire through one. Slide down chain towards fixture. Each side of chain should have a collar.
6. Feed the chain up through the holes of the ceiling canopy (G). The flat part of the band is the part that is closest to ceiling.
7. Lift the entire fixture up to the ceiling and attach the chain to screw collar loops (F) using an open link of chain.
8. Feed brown wire and copper ground wire through the screw collar loop (F) and towards the center junction box.
9. Using the wire connectors (I) provided, attach the white supply wire to the ridged fixture wire. Attach the black supply wire to the smooth fixture wire. Make sure no bare wires are exposed. Tuck extra wires into junction box.
10. Wrap in a clockwise direction, the ground wire (from the ceiling box) and the bare copper ground wire (from the fixture) around the green ground screw (H).
11. Lift ceiling canopy (G) and collars for loops towards ceiling. Secure the canopy to the ceiling using collars.
12. Electricity may now be restored to fixture.

