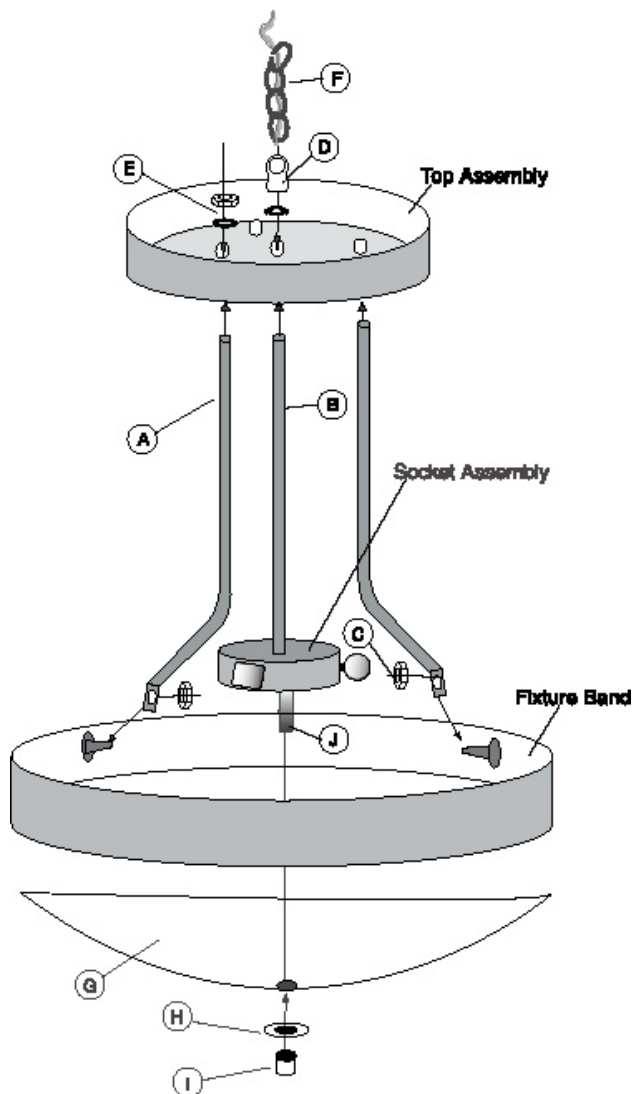


FIXTURE COMPONENTS - SECTION A

- Top Assembly Disk
- Fixture Band
- Socket Assembly

PARTS LIST - SECTION A

- A. Bent Pipes (3)
- B. Center Pipe (1)
- C. 5/16" Nuts (3)
- D. 1" Loop and Lockwasher (1 set)
- E. Lock Washer and Hex Nut (3 sets)
- F. 3' hanging chain
- G. Glass (1)
- H. Rustic Dish (1)
- I. Cap Nut (1)
- J. Threaded Pipe (1)



GENERAL

1. To ensure the success of the installation, be sure to read these instructions and review the diagrams thoroughly before beginning.
2. All electrical connections must be in accordance with local codes, ordinances, or the National Electrical Code. If you are unfamiliar with methods of installing electrical wiring, secure the services of a qualified licensed electrician.
3. These fixtures are intended to be mounted to a minimum 4" x 1-1/8" deep round outlet box. The box must be directly supported by the building structure.
4. **Before starting the installation, disconnect the power by turning off the circuit breaker or by removing the fuse at the fuse box. Turning the power off using the light switch is not sufficient to prevent electrical shock.**

NOTE: The important safeguards and instructions appearing in these instructions are not meant to cover all possible conditions and situations that may occur. It must be understood that common sense, caution, and care are factors, which cannot be built into any product. These factors must be supplied by the person(s) caring for and operating the fixture.

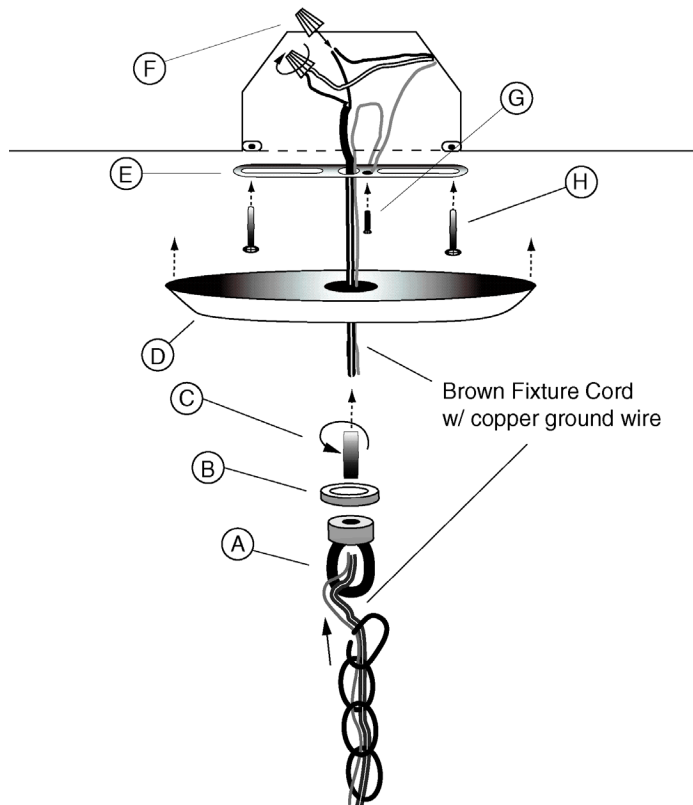
SECTION A-FIXTURE ASSEMBLY

1. Insert the long end of one of the bent pipes (A) into the bottom of the top assembly disk. Loosely secure pipes with a lock washer and hex nut (E). Repeat the step with other two pipes.
2. Place end of the bent pipe with that has a tab with a hole in it over the bolt on the inside of the fixture band. Secure all three pipes using the 5/16" nuts (C).
3. Once all the pipes are straight, finish by tightening the hex nuts (E) on top of the bent pipes.
4. Feed the fixture wire and bare copper ground wire through the center pipe (B). Secure pipe to the socket assembly.
5. Feed the fixture wire and bare copper ground wire through the center hole of the top assembly disk and secure by using the lock washer and 1" loop (D).
6. Add or remove chain links (F) to achieve desired length and then attach the chain to the 1" loop.
7. Feed the fixture wire and bare copper wire through the hanging chain, skipping every other loop.
8. Screw type A19 light bulbs (not included) into the socket assembly.
9. Hold glass (G) up to the bottom of the fixture. Align the hole in the glass (G) with the threaded pipe (J) in the socket assembly.
10. Secure by placing the dish (H) on the threaded pipe (J) followed by screwing on the cap nut (I) and tighten.
11. Now proceed to section B.

PARTS LIST - SECTION C

- A. Screw Collar Loop (1)
- B. Large Washer Nut for Screw Collar Loop (1)
- C. 1½" Threaded Pipe (1)
- D. Canopy (1)
- E. Cross bar (1)
- F. Wire Connectors (2)
- G. Green Ground Screw (1)
- H. 1" or 1½" Screws (2)

-- 3' matching chain



SECTION C - CHAIN HANGING INSTALLATION

NOTE: This section applies to installation where the fixture is hung from a chain, including vaulted ceilings. If you are hanging this fixture directly to the junction box without a chain, proceed to SECTION B below

1. Determine the desired height of the fixture from the ceiling, remove or add chain links to adjust for this height. Open chain links at the top and bottom of the chain to attach to the screw collar loop (A) and 1" loop (G in Section B). **USE LOOP TO SUPPORT CHAIN, NOT ELECTRICAL CORD.**
2. Feed the brown cord and copper ground wire through chain, skipping every other link, and then through the center hole of the Screw Collar Loop (A). Attach the last link to the screw collar loop.
3. Unscrew the Large Washer Nut (B) on the Screw Collar Loop and move it down the chain toward the fixture.
4. Feed the brown or black fixture wire and copper ground wire through the Threaded Pipe (C). Thread the Threaded Pipe into the Screw Collar Loop at one end
5. Feed the chain through the rustic canopy (D), rounded side toward fixture, and move it down the chain toward the fixture.
6. Thread the Threaded Pipe into the straight Cross bar (E) at the other end - green ground screw toward fixture.
7. Lift the fixture up to the ceiling outlet box. Place the Cross bar on the ceiling box and secure with machine screws (H).
8. Pull out the power supply wire out of the ceiling outlet box. Using the Wire Connectors (F), connect the white supply wire to the ridged fixture wire and connect the black supply wire to round fixture wire. Be sure no bare wires are exposed outside of wire connectors. Tuck extra wires back into the ceiling outlet box.
9. Wrap, in a clockwise direction, the green ground wire from the ceiling box and the copper ground wire from the fixture around the Green Ground Screw (F) on the Cross bar. Tighten.
10. Raise the canopy up to the ceiling box with the center mounting hole aligned with the center of the screw collar loop.
11. Raise the Large Washer Nut (B) up to the screw collar loop and canopy. Tighten until canopy is secure against the ceiling. (Note: It may be necessary to shorten the Threaded Pipe by threading it further into the cross bar.
12. Electricity can be now restored to the fixture.

LIMITED 2-YEAR WARRANTY: Avalanche Ranch Light Company warrants that its products are free of defects in workmanship and materials for a period of two years from date of purchase. If within two years from date of purchase any of its products are found defective in workmanship or materials, Avalanche Ranch Light Company will repair or replace, at its sole option, the defective product upon presentation of proof of purchase and the defective product.

THIS WARRANTY IS IN LIEU OF ALL OTHER WARRANTIES INCLUDING, WITHOUT LIMITATION, ANY IMPLIED WARRANTIES OF MERCHANTABILITY OR FITNESS FOR A PARTICULAR PURPOSE. Avalanche Ranch Light Company's liability under any warranty, whether express or implied, is LIMITED SOLELY TO THE REPAIR OR REPLACEMENT OF THE DEFECTIVE PRODUCT FOR THE DURATION OF THIS WARRANTY AND DOES NOT INCLUDE LABOR OR OTHER CONSEQUENTIAL OR INCIDENTAL DAMAGES.